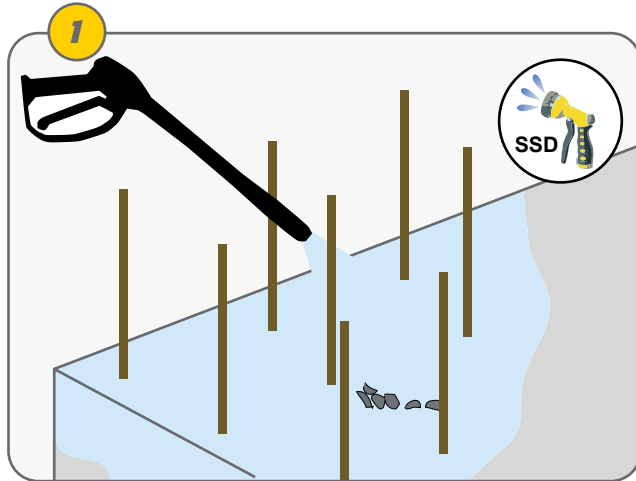




BE SURE. BE KRYTON.

Krystol® Waterstop System SURFACE PREPARATION

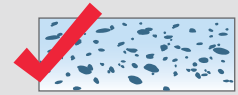


- Surface should be cleaned by power washing.
- Surfaces to be treated must be pre-wet to a saturated-surface-dry (SSD) condition.
- Do not leave any standing water.

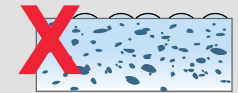


SSD (saturated-surface-dry) condition:

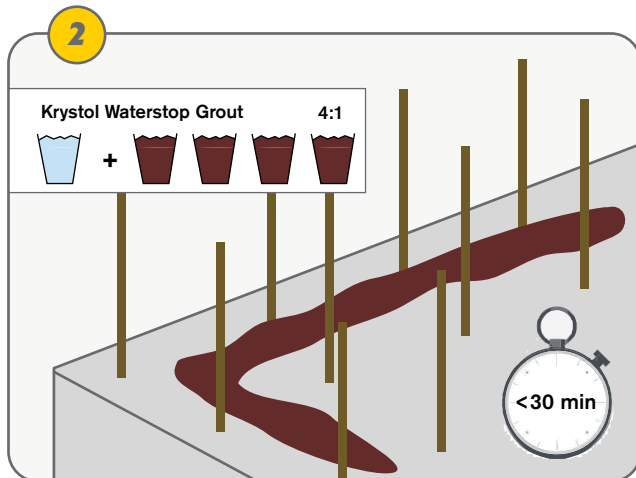
The concrete must be completely saturated with water to allow the Krystol chemicals to penetrate deeply and react. The outer surface must be only slightly damp.



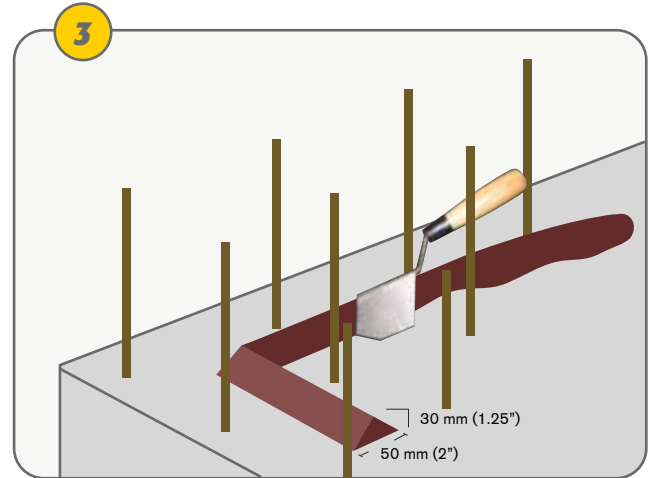
The concrete surface must not have standing, pooled or puddled water.



Krystol Waterstop Grout™ Installation



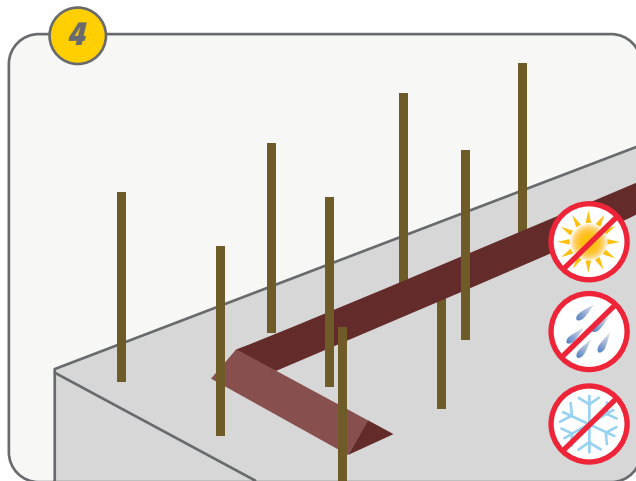
- Begin by mixing 3 parts Krystol Waterstop Grout powder with 1 part water until smooth.
- Then add an additional part of powder (for a total of 4 to 1) and continue mixing to obtain a sag free paste.
- Apply the Grout to the center of the joint area in a triangular strip.
- Mix only as much as can be placed in 30 minutes.



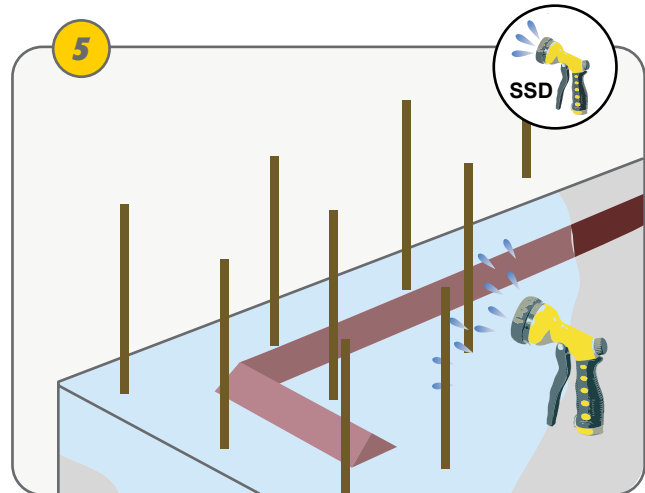
- Place the Grout with the 2" margin trowel then use the Kryton triangle shaper tool to form a continuous strip of peaked material.
- The Grout should form a continuous triangular strip that measures 50 mm (2 in.) wide by at least 30 mm (1.25 in.) wide.



BE SURE BE KRYTON

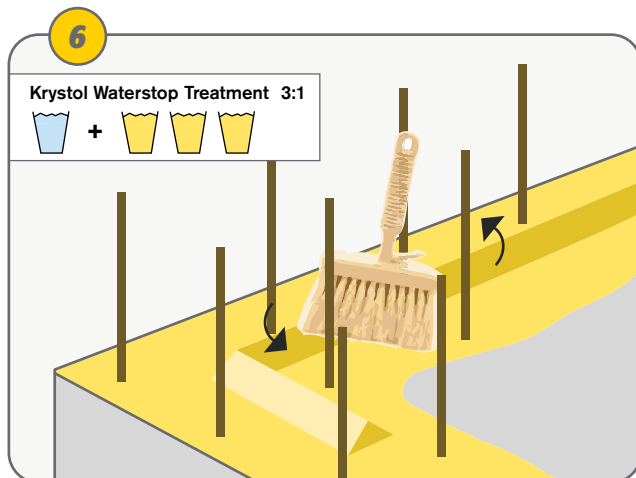


- Protect the Grout application from damage, rain, freezing or rapid drying until it is covered by the Krystol Waterstop Treatment.

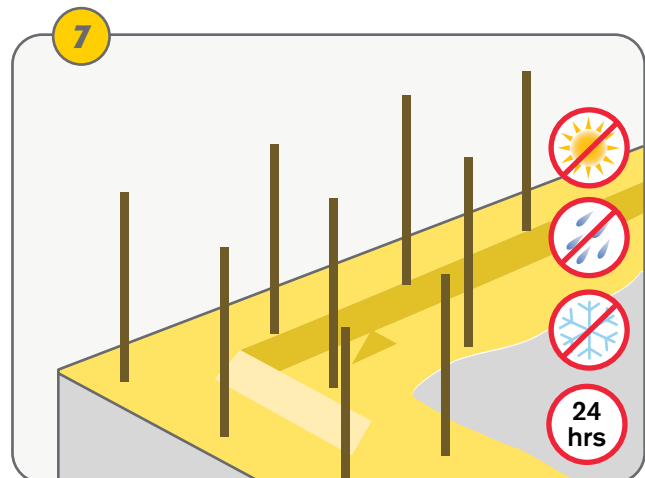


- Wait until the Grout application has hardened (a minimum of 2 hours under moist conditions).
- Do not apply to dry concrete. Surface must be SSD.

Krystol Waterstop Treatment™ Installation



- Mix Krystol Waterstop Treatment to a thick slurry consistency (3 parts powder to 1 part clean water by volume).
- Apply the mixed Treatment to the contact area of the intended joint using a stiff-bristled concrete brush. Employ a circular, scrubbing motion so as to achieve good contact and penetration.



- Forms may be closed immediately after inspection.
- Protect the Treatment application from damage, rain, freezing or direct sunlight for 24 hours or until the concrete is poured over it.

MATERIALS:

- Krystol Waterstop Grout
- Krystol Waterstop Treatment
- Clean water source

TOOLS:

- Mixing bucket, drill and mortar mixing paddle
- Natural bristle concrete brush
- 50 mm (2 in.) margin trowel
- Triangle shaper tool
- Water can and towel



Caution: Read the Material Safety Data Sheets (MSDS) for these products. For professional use only. These products become caustic when mixed with water or perspiration. Avoid contact with skin or eyes. Avoid breathing dust. Wear long sleeves, safety goggles and impervious gloves.